

Bought by Ms Joy Gomez, Thomas Bell-Wright International-, on 10/03/2013 08:34 Latest version. Not to be distributed/networked. For multi-user access www.bsigroup.com/license © BSI

BS EN ISO 11925-2:2010



BSI Standards Publication

Reaction to fire tests — Ignitability of products subjected to direct impingement of flame

Part 2: Single-flame source test

NO COPYING WITHOUT BSI PERMISSION EXCEPT AS PERMITTED BY COPYRIGHT LAW

raising standards worldwide™



National foreword

This British Standard is the UK implementation of EN ISO 11925-2:2010. It is identical to ISO 11925-2:2010, incorporating corrigendum January 2011. It supersedes BS EN ISO 11925-2:2002, which is withdrawn.

The UK participation in its preparation was entrusted to Technical Committee FSH/21/1, Reaction to fire tests - European fire test methods including ignitability tests.

A list of organizations represented on this committee can be obtained on request to its secretary.

This publication does not purport to include all the necessary provisions of a contract. Users are responsible for its correct application.

© BSI 2011

ISBN 978 0 580 60503 1

ICS 13.220.50

Compliance with a British Standard cannot confer immunity from legal obligations.

This British Standard was published under the authority of the Standards Policy and Strategy Committee on 31 July 2011.

Amendments/corrigenda issued since publication

Date	Text affected
------	---------------

English Version

Reaction to fire tests - Ignitability of products subjected to direct
impingement of flame - Part 2: Single-flame source test (ISO
11925-2:2010)

Essais de réaction au feu - Allumabilité de produits soumis
à l'incidence directe de la flamme - Partie 2: Essai à l'aide
d'une source à flamme unique (ISO 11925-2:2010)

Prüfungen zum Brandverhalten - Entzündbarkeit von
Produkten bei direkter Flammeneinwirkung - Teil 2: Einzel-
Flammentest (ISO 11925-2:2010)

This European Standard was approved by CEN on 2 October 2010.

CEN members are bound to comply with the CEN/CENELEC Internal Regulations which stipulate the conditions for giving this European Standard the status of a national standard without any alteration. Up-to-date lists and bibliographical references concerning such national standards may be obtained on application to the CEN-CENELEC Management Centre or to any CEN member.

This European Standard exists in three official versions (English, French, German). A version in any other language made by translation under the responsibility of a CEN member into its own language and notified to the CEN-CENELEC Management Centre has the same status as the official versions.

CEN members are the national standards bodies of Austria, Belgium, Bulgaria, Croatia, Cyprus, Czech Republic, Denmark, Estonia, Finland, France, Germany, Greece, Hungary, Iceland, Ireland, Italy, Latvia, Lithuania, Luxembourg, Malta, Netherlands, Norway, Poland, Portugal, Romania, Slovakia, Slovenia, Spain, Sweden, Switzerland and United Kingdom.



EUROPEAN COMMITTEE FOR STANDARDIZATION
COMITÉ EUROPÉEN DE NORMALISATION
EUROPÄISCHES KOMITEE FÜR NORMUNG

Management Centre: Avenue Marnix 17, B-1000 Brussels

Foreword

This document (EN ISO 11925-2:2010) has been prepared by Technical Committee ISO/TC 92 "Fire safety" in collaboration with Technical Committee CEN/TC 127 "Fire safety in buildings" the secretariat of which is held by BSI.

This European Standard shall be given the status of a national standard, either by publication of an identical text or by endorsement, at the latest by May 2011, and conflicting national standards shall be withdrawn at the latest by May 2011.

Attention is drawn to the possibility that some of the elements of this document may be the subject of patent rights. CEN [and/or CENELEC] shall not be held responsible for identifying any or all such patent rights.

This document supersedes EN ISO 11925-2:2002.

According to the CEN/CENELEC Internal Regulations, the national standards organizations of the following countries are bound to implement this European Standard: Austria, Belgium, Bulgaria, Croatia, Cyprus, Czech Republic, Denmark, Estonia, Finland, France, Germany, Greece, Hungary, Iceland, Ireland, Italy, Latvia, Lithuania, Luxembourg, Malta, Netherlands, Norway, Poland, Portugal, Romania, Slovakia, Slovenia, Spain, Sweden, Switzerland and the United Kingdom.

Endorsement notice

The text of ISO 11925-2:2010 has been approved by CEN as a EN ISO 11925-2:2010 without any modification.

Contents

Page

Foreword	iv
Introduction.....	v
1 Scope	1
2 Normative references	1
3 Terms and definitions	2
4 Test apparatus	2
5 Test specimen.....	4
5.1 Preparation.....	4
5.2 Dimensions	4
5.3 Products which are not essentially flat.....	4
5.4 Number of specimens	4
5.5 Substrates	5
6 Conditioning	5
7 Test procedure.....	5
7.1 General	5
7.2 Preliminary operations.....	5
7.3 Testing operations	6
7.4 Duration of test.....	7
8 Expression of results	7
9 Test report.....	7
Annex A (informative) Precision of test method.....	23
Bibliography.....	26

Foreword

ISO (the International Organization for Standardization) is a worldwide federation of national standards bodies (ISO member bodies). The work of preparing International Standards is normally carried out through ISO technical committees. Each member body interested in a subject for which a technical committee has been established has the right to be represented on that committee. International organizations, governmental and non-governmental, in liaison with ISO, also take part in the work. ISO collaborates closely with the International Electrotechnical Commission (IEC) on all matters of electrotechnical standardization.

International Standards are drafted in accordance with the rules given in the ISO/IEC Directives, Part 2.

The main task of technical committees is to prepare International Standards. Draft International Standards adopted by the technical committees are circulated to the member bodies for voting. Publication as an International Standard requires approval by at least 75 % of the member bodies casting a vote.

Attention is drawn to the possibility that some of the elements of this document may be the subject of patent rights. ISO shall not be held responsible for identifying any or all such patent rights.

ISO 11925-2 was prepared by Technical Committee ISO/TC 92, *Fire safety*, Subcommittee SC 1, *Fire initiation and growth*.

This third edition cancels and replaces the second edition (ISO 11925-2:2002), which has been technically revised.

ISO 11925 consists of the following parts, under the general title *Reaction to fire tests — Ignitability of products subjected to direct impingement of flame*:

- *Part 1: Guidance on ignitability* [Technical Report]¹⁾
- *Part 2: Single-flame source test*
- *Part 3: Multi-source test*¹⁾

1) The main title of ISO 11925 has been changed since these parts were first published, originally referring to the ignitability of *building* products only. It is intended that these parts be aligned with the new main title at their next revision.

Introduction

This fire test method has been developed to define reaction to the fire performance of products. The method specifies a test for determining the ignitability of products by direct small-flame impingement under zero impressed irradiance using vertically oriented test specimens.

Although the method is designed to assess ignitability, this is addressed by measuring the spread of a small flame up the vertical surface of a specimen following application of a small (match-sized) flame to either the surface or edge of a specimen for either 15 s or 30 s. The determination of the production of flaming droplets depends on whether or not the filter paper placed beneath the specimen ignites.

This page deliberately set blank

Reaction to fire tests — Ignitability of products subjected to direct impingement of flame —

Part 2: Single-flame source test

WARNING — The attention of all persons concerned with managing and carrying out this test is drawn to the fact that fire testing can be hazardous and that there is a possibility that toxic and/or harmful smoke and gases can be evolved during the test. Operational hazards can also arise during the testing of specimens and the disposal of test residues.

An assessment of all potential hazards and risks to health should be made and safety precautions identified and provided. Written safety instructions should be issued. Appropriate training should be given to relevant personnel. Laboratory personnel should ensure that they follow written safety instructions at all times.

Adequate means of extinguishing the specimen should be provided, bearing in mind that some specimens can produce severe flaming during the test. A hand water spray or an inert gas suppression system, e.g. compressed nitrogen, which can be directed to the burning area, should be available together with other means, such as fire extinguishers.

In some cases, smouldering can be difficult to extinguish completely and immersion in water can be necessary.

1 Scope

This part of ISO 11925 specifies a method of test for determining the ignitability of products by direct small flame impingement under zero impressed irradiance using vertically oriented test specimens.

Information on the precision of the test method is given in Annex A.

2 Normative references

The following referenced documents are indispensable for the application of this document. For dated references, only the edition cited applies. For undated references, the latest edition of the referenced document (including any amendments) applies.

EN 13238, *Reaction to fire tests for building products — Conditioning procedures and general rules for selection of substrates*

ISO 13943, *Fire safety — Vocabulary*

ISO 14697, *Reaction-to-fire tests — Guidance on the choice of substrates for building and transport products*

3 Terms and definitions

For the purposes of this document, the terms and definitions given in ISO 13943 and the following apply.

3.1

product

material, element or component about which information is required

3.2

essentially flat product

product having one of the following characteristics:

- a) a planar exposed surface;
- b) a planar exposed surface with a surface irregularity that is evenly distributed over the exposed surface, provided that
 - at least 50 % of the surface of a representative square area of 250 mm × 250 mm lies within a depth of 6 mm from a plane taken across the highest points on the exposed surface, or
 - for a surface containing cracks, fissures or holes, these do not exceed 6,5 mm in width or 10 mm in depth, and that the total area of such cracks, fissures or holes at the surface does not exceed 30 % of a representative square area of 250 mm × 250 mm of the exposed surface

3.3

flaming droplets

flaming particle

material separating from the specimen during the fire test procedure and igniting the filter paper beneath the specimen

3.4

sustained flaming

persistence of flame for a period greater than 3 s

3.5

ignition

presence of sustained flaming

4 Test apparatus

4.1 Test room, capable of providing an environment at (23 ± 5) °C and a relative humidity of (50 ± 20) %.

NOTE It has been found that a partially darkened room assists with the perception of small surface flames.

4.2 Combustion chamber, consisting of an enclosure constructed from stainless steel sheets, with heat-resistant, glazed doors provided for access and observation in at least the front and one lateral side (see Figure 1). Ventilation of the enclosure shall be free through the square box section base in the bottom of the chamber. This shall be made of stainless steel of 1,5 mm thickness, 50 mm in height, with the open square area being 25 mm × 25 mm. To make free ventilation possible, the chamber shall stand on 40 mm high supports which provide a gap on the lateral sides of the combustion chamber. The air velocity measured on the central axis in the chimney of the combustion chamber shall be $(0,7 \pm 0,1)$ m/s, measured with the burner only ignited and with the ventilation hood "on". The combustion chamber shall be situated under a suitably ventilated hood.

4.3 Ignition source, consisting of burner constructed as shown in Figure 2 and designed so that it can be used vertically or be tilted at 45° with respect to the vertical axis. The burner shall be mounted onto a

horizontal plate so that it moves smoothly forwards and backwards in a horizontal plane along the centreline of the combustion chamber.

The burner shall be fitted with a fine adjustment valve to ensure accurate control of the flame height.

4.4 Fuel, consisting of commercial propane of 95 % minimum purity. In order to obtain flame stability with the burner tilted at 45°, the gas pressure shall be between 10 kPa and 50 kPa.

4.5 Specimen holder, consisting of two stainless steel U-shaped frames. The thickness of the frames shall be (5 ± 1) mm. The dimensions of the frame shall be as shown in Figure 3 a). The frame shall hang vertically from the support (see 4.6 and Figure 4) such that the underside of the specimen is exposed directly to the flame along its centreline and edges (see Figures 5 to 7). The two halves of the specimen holder shall be held together by screws or clamps to prevent the specimen warping.

It is important that the technique of clamping used be capable of restraining the specimen for the total duration of the test.

NOTE Small pins of approximately 1 mm in length incorporated on the surface of the frame to which the specimen is attached have been found suitable.

For multilayered products, a typical test frame as shown in Figure 3 b) shall be used when carrying out the prescribed additional set of tests on multilayer test specimens of thickness greater than 10 mm according to 7.3.3.2.3.

For the mounting and fixing of loose fill material, the following applies.

- c) A specimen holder as shown in Figure 3 c) shall be used.
- d) When making the specimens for testing, the surface of the loose fill material specimen shall be as even as possible.
- e) A wire lacing shall be used to retain the specimen if material falls from the specimen holder. 0,2 mm wire shall be used to form 11 rows vertically in front of the opening to hold the loose fill material in place. The wire lacing will have the shape of a harp.
- f) If the material is a mixture of various grain sizes, the release of smaller particles from the open central surface does not justify the use of the harp.
- g) It is deemed sufficient to carry out the tests with a surface flame attack. Edge flame attack tests are not necessary.

4.6 Support, consisting of a vertical stand to which the specimen holder is attached such that it hangs vertically and exposes its open edge containing the specimen to the burner flame (see Figure 4).

The distance between the underside of the specimen and the top of horizontal plate above the metal grid shall be (125 ± 10) mm for edge flame impingement and (85 ± 10) mm for surface flame impingement.

4.7 Timing device, capable of recording elapsed time to the nearest second and which shall be accurate to within 1 s in 1 h.

4.8 Template, consisting of one metal plate $(250 \begin{smallmatrix} 0 \\ -1 \end{smallmatrix})$ mm long and $(90 \begin{smallmatrix} 0 \\ -1 \end{smallmatrix})$ mm wide.

4.9 Flame checking devices

4.9.1 Flame-height measuring device, capable of indicating a flame height of 20 mm (see Figure 8) when located against a fixed point of the burner. The tolerance on the flame-height measuring device shall be $\pm 0,1$ mm.

The flame height shall be measured from the upper edge of the burner to the yellow tip of the flame. This check shall be conducted before testing each specimen.

4.9.2 Burner spacer for edge flame impingement, removable, 16 mm long, which can be mounted at the burner orifice to check the distance from the pre-set flame contact point on the specimen (see Figure 9).

4.9.3 Burner spacer for surface flame impingement, removable, cone-shaped, which can be mounted at the burner orifice to check the fixed distance of 5 mm between the burner edge and specimen surface (see Figure 9).

4.10 Anemometer, hot wire, with an accuracy of $\pm 0,1$ m/s, for measuring the airflow velocity in the upper outlet of the combustion chamber (see 4.2 and Figure 1).

4.11 Filter paper and tray. The paper shall be new undyed filter paper with a mass/unit area of (75 ± 15) g/m² and an ash content of less than 0,1 %. The filter paper shall be kept in a desiccator prior to use in the test. The tray shall be 100 mm \times 50 mm and 10 mm deep with a thickness of $0,175 \pm 0,025$ mm, made of aluminium foil. The tray is placed beneath the specimen holder and is replaced between tests.

4.12 Apparatus to allow observation of the reverse face of the specimen. For some materials, it is sometimes necessary to observe the flame on the reverse face of the specimen as well as the exposed face.

Provision shall therefore be made to enable the operator to view both sides of the specimen at the same time. One method by which this may be achieved is to hang a mirror above and behind the test specimen. The design and location of the mirror shall be appropriate for the construction of the equipment and the available ambient lighting. The result observed on the reverse face shall be treated as if it occurred on the front side.

5 Test specimen

5.1 Preparation

The test specimen shall be cut from a sample which is representative of the product to be tested using the templates specified in 4.8.

5.2 Dimensions

The dimensions of the test specimens shall be $(250 \pm \frac{2}{2})$ mm long by $(90 \pm \frac{2}{2})$ mm wide.

Specimens normally having a thickness of 60 mm or less shall be tested using their full thickness. Specimens normally having a thickness greater than 60 mm shall be reduced to a thickness of 60 mm by cutting away the unexposed surface. If it is necessary to reduce the specimen size in this manner, the cut surface shall not be exposed to the flame.

For products which are normally manufactured in sizes less than the test specimen, a test sample of appropriate size shall be specifically produced for the test.

5.3 Products which are not essentially flat

When the product is not an essentially flat product, the specimens may be tested in the form of their end use (e.g. pipe insulation). The product shall be supplied in its entirety or as specimens of lengths of 250 mm.

5.4 Number of specimens

5.4.1 For each exposure condition, a minimum of six representative specimens of the product shall be tested. Three specimens shall be cut lengthwise and three crosswise.

5.4.2 If a product under test is asymmetric through its thickness and in practice either face may be exposed to a source of ignition, test a separate series of specimens on each face.

5.4.3 Where a product has areas of its surface which are distinctly different, but each of these separate areas can satisfy the surface characteristics for essentially flat products, then more than one test set shall be conducted to evaluate the product.

5.4.4 If a product is installed with covered edges, but can also be used with unprotected edges, tests shall be performed on both covered and uncovered specimens.

5.5 Substrates

Where a substrate is used, it shall be selected in accordance with EN 13238 or ISO 14697.

Care is needed when preparing test specimens for bottom-edge exposure of materials applied to substrates, since in practice the substrate may extend beyond the bottom of the material to be tested and not itself be subject to edge exposure. The configuration of the test specimen should reflect the practical aspects such as type of substrate and fixing to substrate.

NOTE Additional advice on the use of substrates can be found in any relevant product standard.

6 Conditioning

Test specimens and filter paper shall be conditioned in accordance with EN 13238.

Test specimens shall be conditioned at a temperature of (23 ± 2) °C and a relative humidity of (50 ± 5) %.

Test specimens shall be arranged within the conditioning environment such that air can circulate around each individual test specimen.

Test specimens shall be conditioned for a minimum period of 48 h, until constant mass is achieved. Constant mass is considered to be achieved when two successive weighing operations carried out at an interval of 24 h, do not differ by more than 0,1 % of the mass of the specimen or 0,1 g, whichever is the greater.

7 Test procedure

7.1 General

Two flame application times are available, 15 s or 30 s, as required by the sponsor. The start time of the test is on application of the flame.

7.2 Preliminary operations

7.2.1 Check the required airflow velocity in the chimney of the combustion chamber (see 4.2).

7.2.2 Remove the set of six test specimens from the conditioning environment and test them within 30 min. If necessary, the test specimen can be transferred from the conditioning room to the test apparatus in a sealed container.

7.2.3 Clamp the test specimen in the specimen holder so that one end and both sides are covered by the holder frames and the exposed end is 30 mm from the end of the frame (see Figure 3).

NOTE The operator can find it useful to mark the specimen holder such that the bottom edge of the test specimen is always placed at this distance.

7.2.4 Check the distances of the burner from the specimen by means of the relevant spacer specified in 4.9.2 or 4.9.3 with the burner tilted at 45° (see Figures 4 to 7, as appropriate).

7.2.5 Position two pieces of filter paper in the aluminium foil tray beneath the specimen, not more than 3 min before the start of the test. Do not remove the filter paper from the desiccator more than 3 min before the start of the test.

7.3 Testing operations

7.3.1 Light the burner in the vertical position and allow the flame to stabilize. Adjust the burner valve to give a flame height of 20 mm using the device specified in 4.9.1. This operation is carried out away from the pre-set operating position to prevent accidental impingement of the flame on the test specimen. The flame height shall be checked prior to each flame application.

NOTE It has been found useful to measure the flame height against a black background.

7.3.2 Tilt the burner at 45° with respect to its vertical axis and advance it horizontally until the flame reaches the pre-set contact point with the test specimen.

Start the timing device at the moment the flame is brought into contact with the test specimen. Apply the flame for 15 s or 30 s as required by the sponsor and then retract the burner in a smooth continuous manner.

7.3.3 Exposure conditions.

Tests may need to be conducted to either surface exposure or edge exposure, or both.

NOTE Advice on exposure conditions can be given in the relevant product standards.

7.3.3.1 Surface exposure.

For all essentially flat products, the flame shall be applied on the centreline of the specimen, 40 mm above the bottom edge (see Figure 9). Each different surface that could be exposed in practice shall be tested (see 5.4.2).

7.3.3.2 Edge exposure.

7.3.3.2.1 For single-layer or multilayer, essentially flat products having a total thickness ≤ 3 mm, the flame shall be applied to the mid point on the bottom of the test specimen (see Figure 5).

7.3.3.2.2 For single-layer or multilayer, essentially flat products having a total thickness greater than 3 mm, the flame shall be applied to the centre of the width of the bottom edge of the test specimen 1,5 mm behind the surface (see Figure 6).

7.3.3.2.3 For all multilayer products greater than 10 mm thick, an additional set of tests shall be carried out with the specimen turned at 90° round its vertical axis and the flame impinging at the bottom edge of the centreline of the underside of each different layer (see Figure 7).

The flame application point which gives the worst result shall be determined by performing at least two tests for each possible flame application point. The results should be compared and a complete test of six specimens shall be conducted using the flame application point which gives the worst result.

7.3.4 For products that are not essentially flat products and which are to be tested in their end-use form, the flame shall be applied as specified in 7.3.3.1 and 7.3.3.2. A full description of the method of retention shall be given in the test report.

The flame application point which gives the worst result should be determined by performing at least two tests for each possible flame application point. The results should be compared and a complete test of six specimens shall be conducted using the flame application point which gave the worst result.

The product may be free-standing or may be held in its end-use orientation in a retaining frame which can be as simple as a laboratory clamp stand or could require a more substantial, specially constructed framework.

NOTE A modification to the apparatus and/or procedure can be necessary, but many non-planar products normally only require a change in the specimen support frame. In some instances, however, the burner mounting can also be inappropriate and the ignition source could need to be held and applied manually.

7.4 Duration of test

7.4.1 If the flame application time is 15 s, the total test duration shall be 20 s from the time at which the flame is first applied.

7.4.2 If the flame application time is 30 s, the total test duration shall be 60 s from the time at which the flame is first applied.

8 Expression of results

8.1 Record the position of flame application.

8.2 For each of the test specimens, record the following:

- a) whether ignition occurs;
- b) whether the flame tip reaches 150 mm above the flame application point, and the time at which this occurs;
- c) presence of flaming droplets/particles which cause ignition of the filter paper;
- d) observations of physical behaviour of the test specimen.

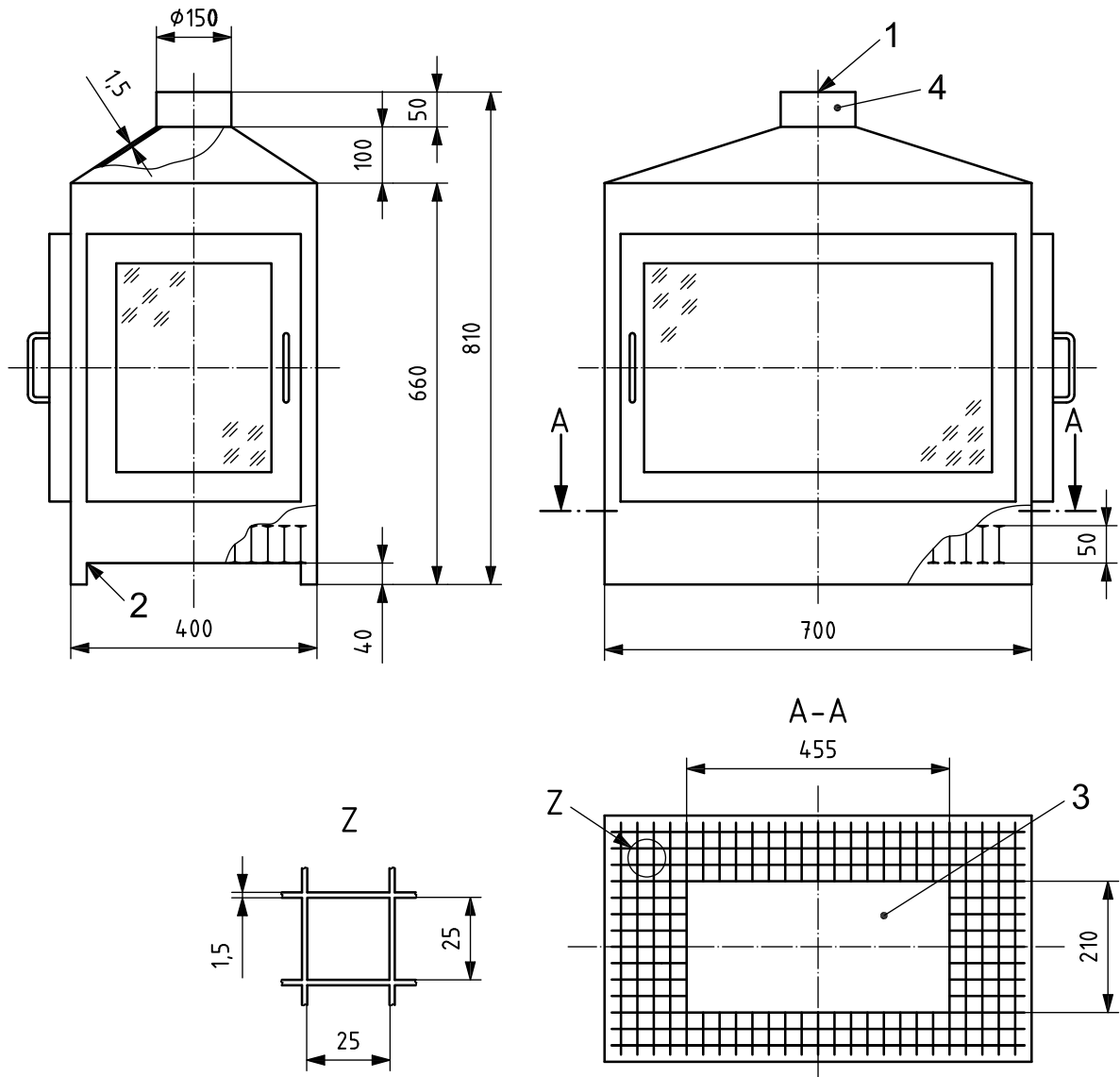
9 Test report

The test report shall include at least the following information.

- a) reference that the test was carried out in accordance with this part of ISO 11925, i.e. ISO 11925-2;
- b) any deviations from the test method;
- c) name and address of the test laboratory;
- d) date and identification number of the report;
- e) name and address of the sponsor;
- f) name and address of the manufacturer/supplier, if known;
- g) date of sample arrival;
- h) identification of the product;
- i) description of the sampling procedure, where relevant;
- j) general description of the product tested, including density, mass per unit area and thickness, together with the details of construction of the test specimen;
- k) details of conditioning;

- l) details of any substrates used and method of fixing;
- m) date of test;
- n) test results expressed in accordance with Clause 8;
- o) flame application time;
- p) observations made during the test;
- q) information on the intended application of the product, if known;
- r) the statement, "The test results relate to the behaviour of the test specimens of a product under the particular conditions of the test; they are not intended to be the sole criterion for assessing the potential fire hazard of the product in use."

A clear distinction shall be made between the data provided by the sponsor and the data determined by the test.

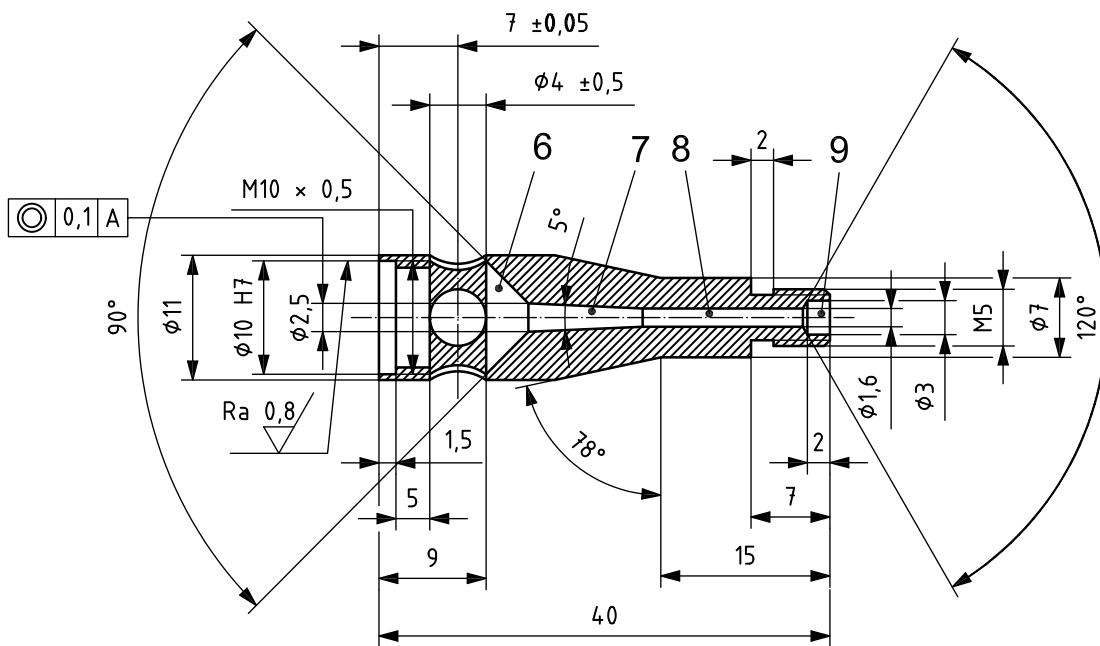


Key

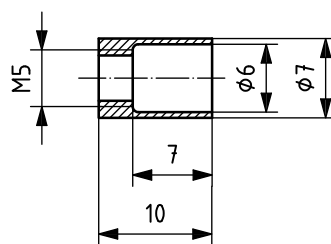
- 1 measuring point for air velocity
- 2 metal grid mesh
- 3 horizontal plate
- 4 chimney

NOTE All dimensions are nominal values in millimetres unless tolerances are given.

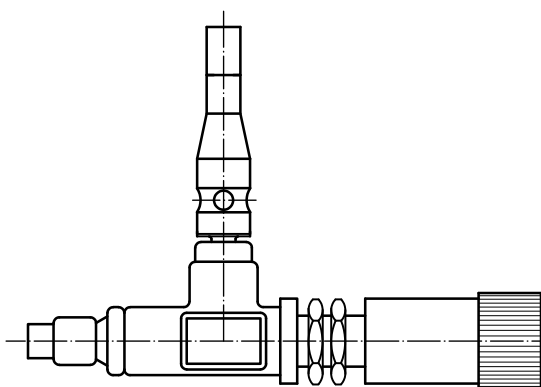
Figure 1 — Combustion chamber



c) Burner tube



d) Flame stabilizer



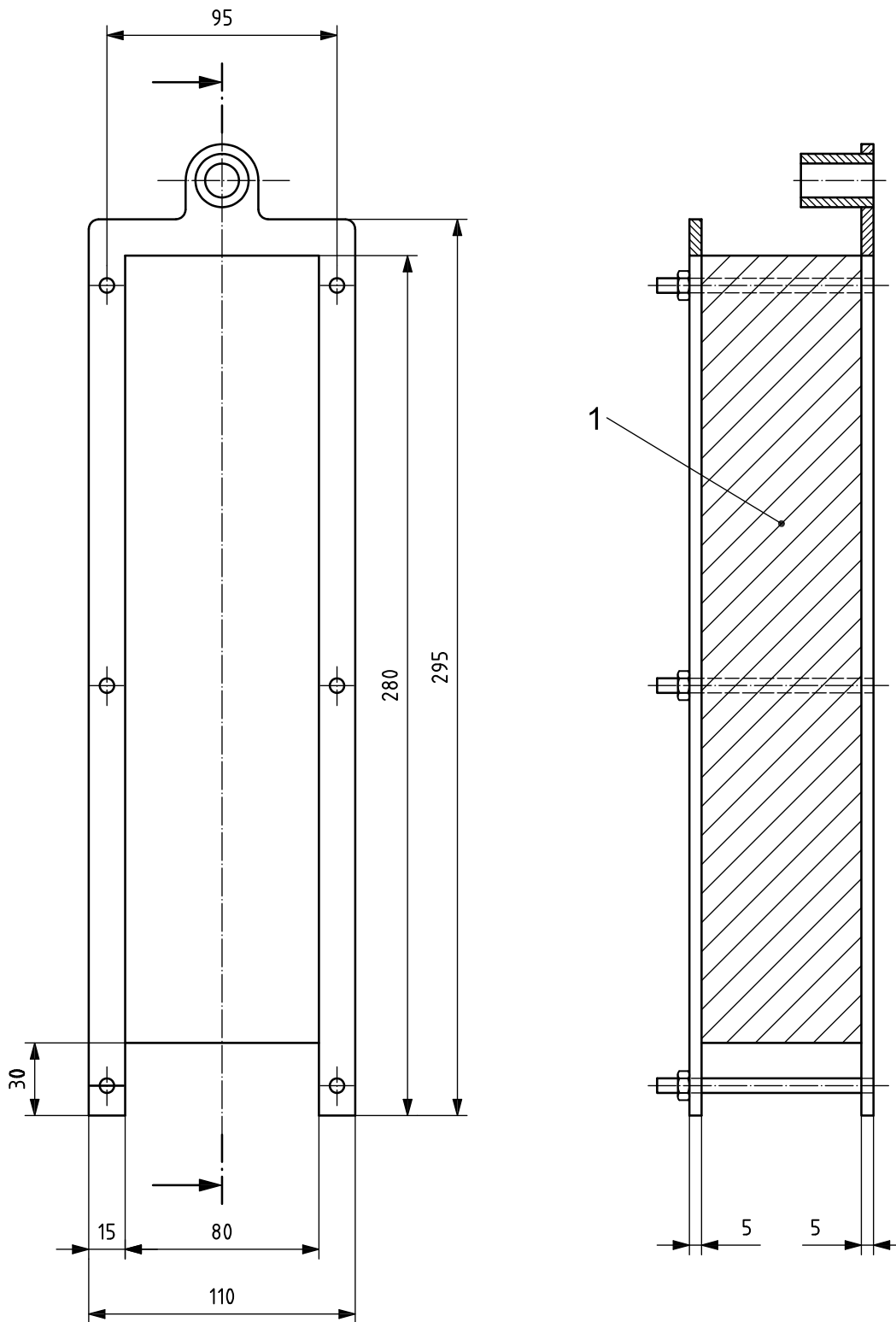
e) Burner and adjustment valve

Key

- | | | | |
|--------------------|--------------------------------|------------------------|----------------------|
| 1 gas jet | 4 choke tube | 6 gas mixing zone | 8 conduction section |
| 2 burner tube | 5 notch fitted during assembly | 7 acceleration section | 9 outlet |
| 3 flame stabilizer | | | |

Figure 2 — Gas burner

Dimensions in millimetres

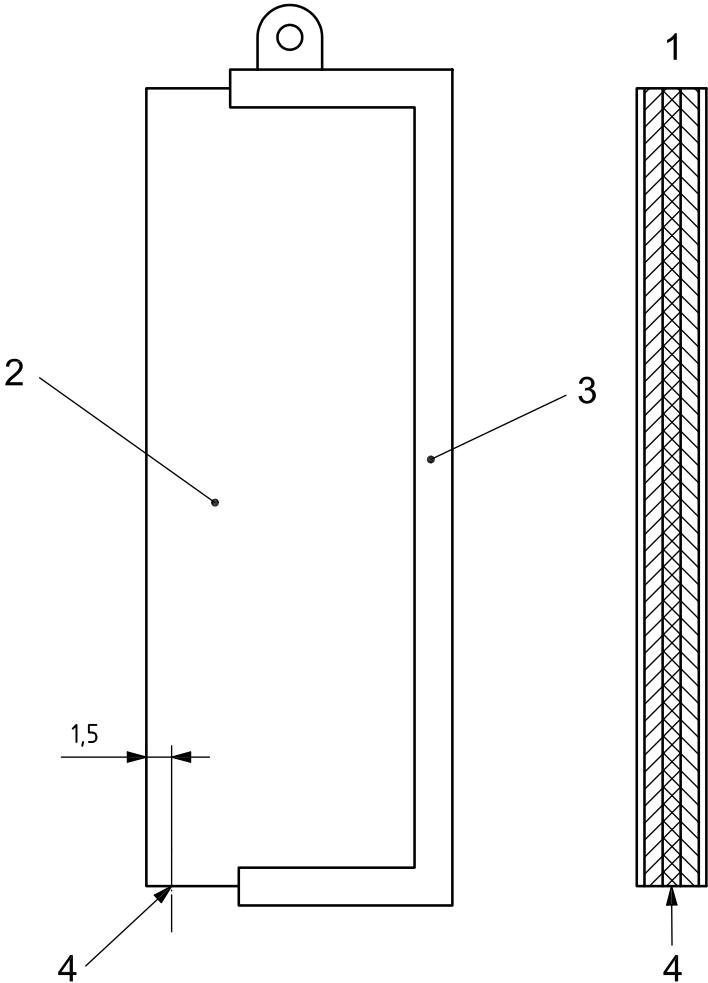


Key

- 1 test specimen with thickness approx. 65 mm

a) Typical specimen holder with test specimen mounted

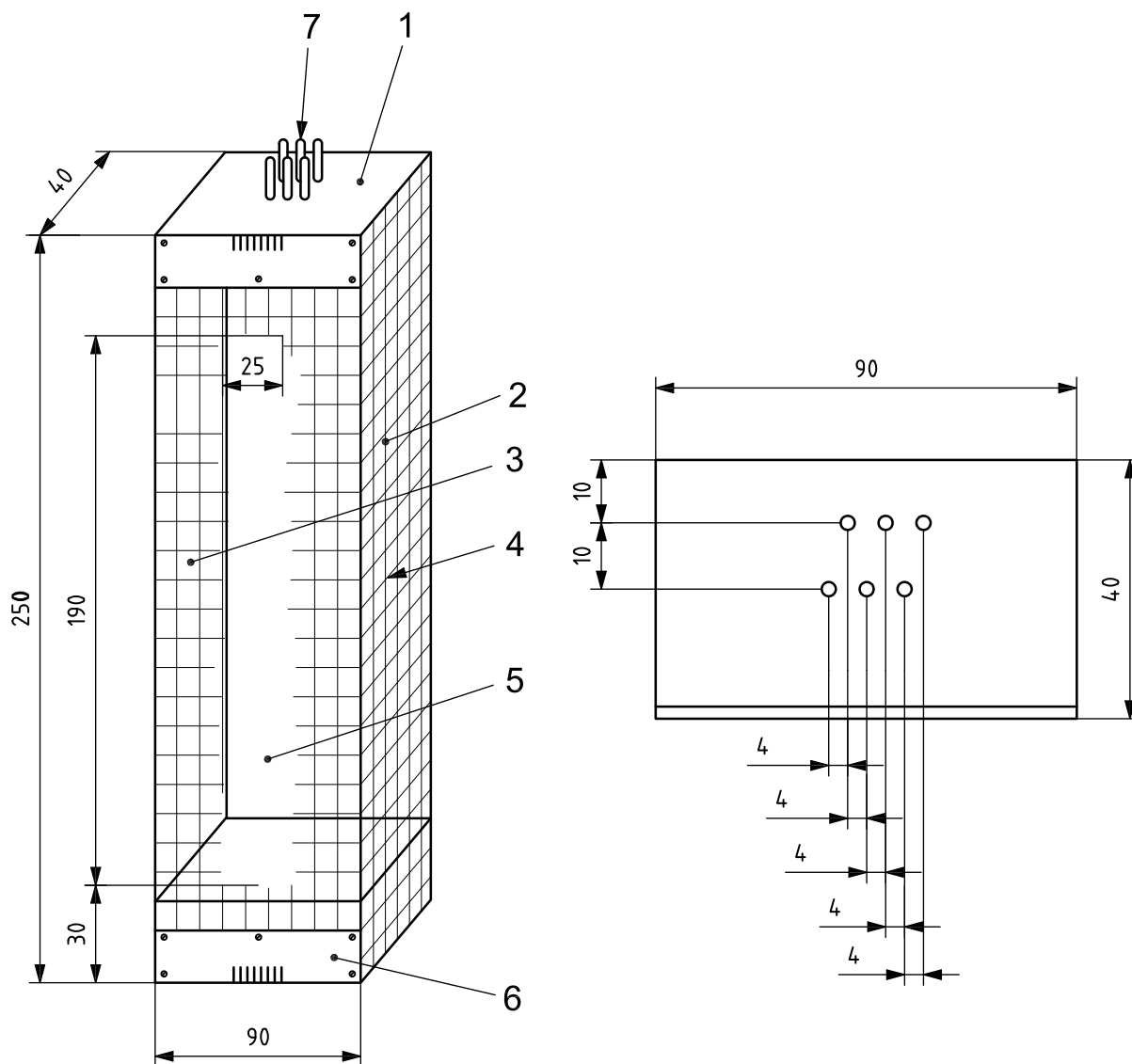
Figure 3 — Typical specimen holders (continued)



- Key**
- 1 side view of specimen
 - 2 test specimen
 - 3 specimen holder
 - 4 flame impingement point

b) Typical specimen holder for testing vertical edge of multilayered specimens over 10 mm thick

Figure 3 — Typical specimen holders (continued)



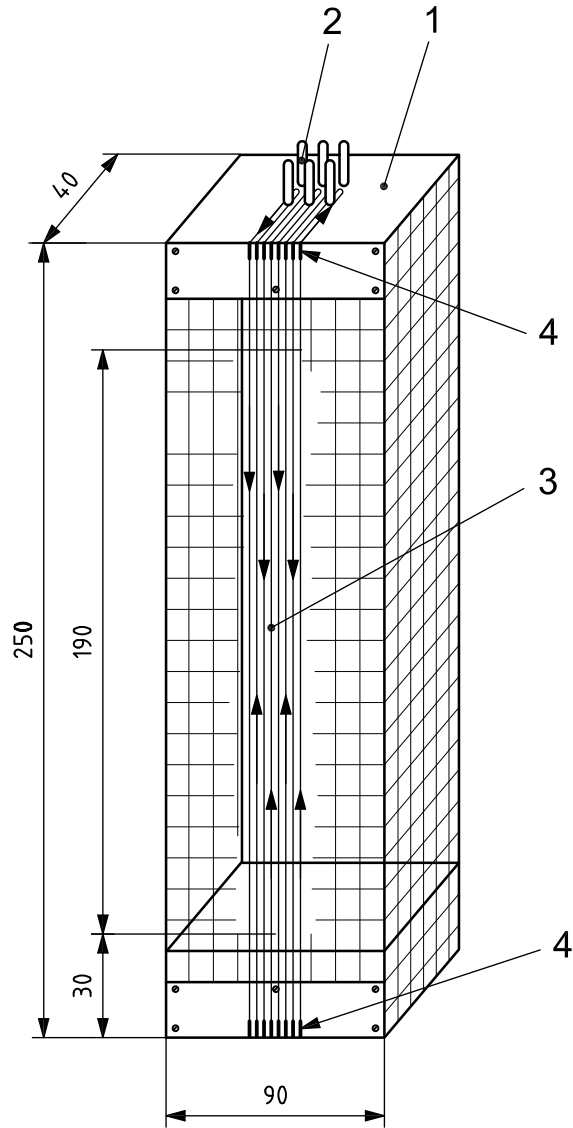
Key

- 1 small hardwood blocks, 90 mm × 40 mm × 25 mm (beech or oak)
- 2 back panel identical to side panel shown
- 3 side panel identical to side panel shown
- 4 wire mesh, zinc-coated, width of mesh 9 ± 1 mm, wire size $1 \pm 0,2$ mm
- 5 flame attack opening 190 mm × 25 mm (resistance wire is used as bracing wire), diameter 0,2 mm, $15,6 \Omega/m$
- 6 screwed on sheet metal, 16 mm × 1,4 mm, with 11 guide notches at top and bottom, spaced at intervals of 2 mm
- 7 metal pins to which wire lacing is attached

NOTE Plan view showing metal pins (7).

c) Typical specimen holder for loose fill materials

Figure 3 — Typical specimen holders (continued)

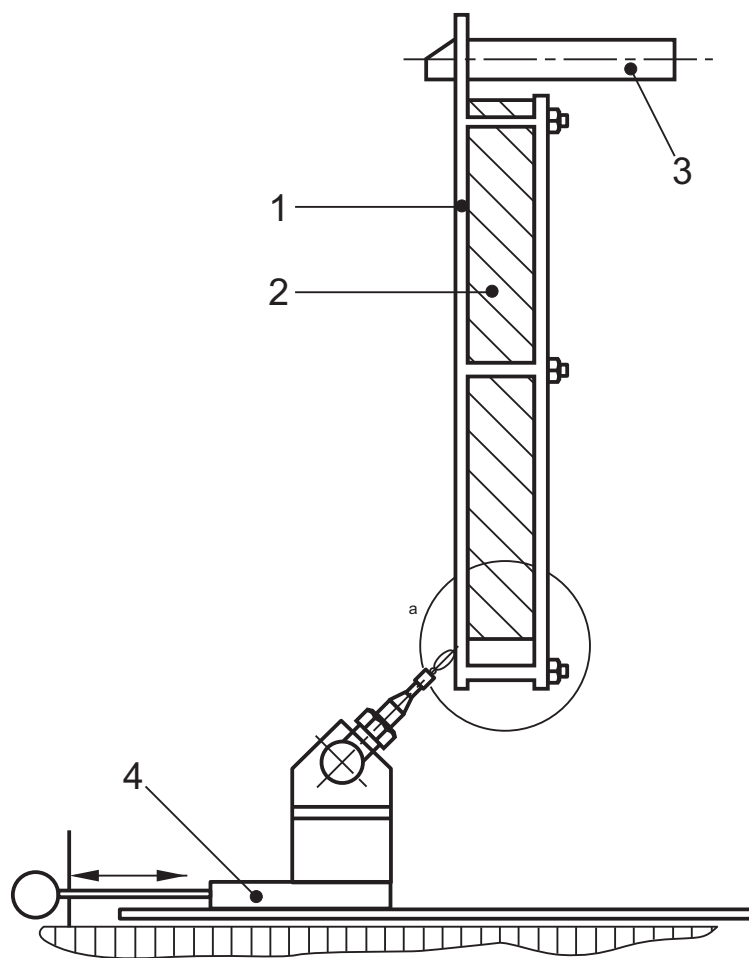


Key

- 1 hardwood block
- 2 metal pins
- 3 wire lacing
- 4 comb

d) Typical lacing to close specimen holder for loose fill materials

Figure 3 — Typical specimen holder



Key

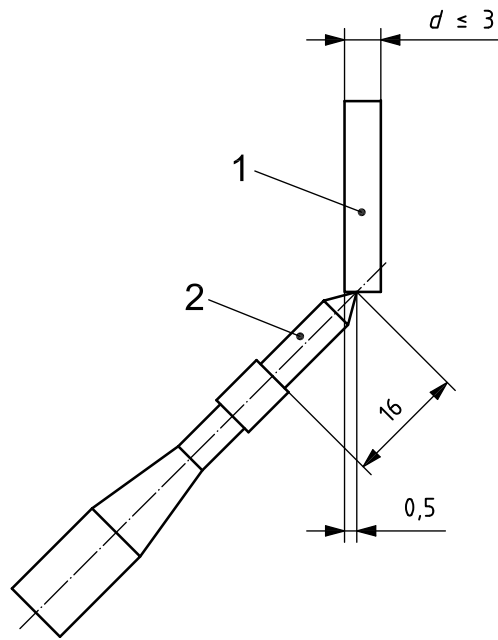
- 1 specimen holder
- 2 specimen
- 3 support
- 4 burner base

NOTE Shows the standard specimen in the support with a specimen mounted in the holder of maximum thickness.

^a See Figure 5.

Figure 4 — Typical support and burner positioning (side view)

Dimensions in millimetres

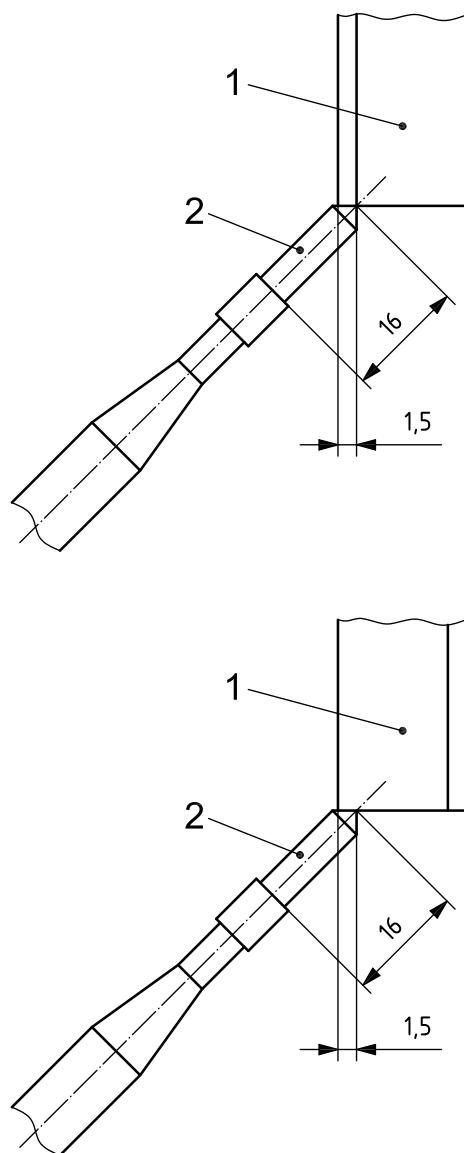


Key

- 1 test specimen
- 2 burner spacer
- d thickness

Figure 5 — Flame impingement point for products less than or equal to 3 mm thick

Dimensions in millimetres

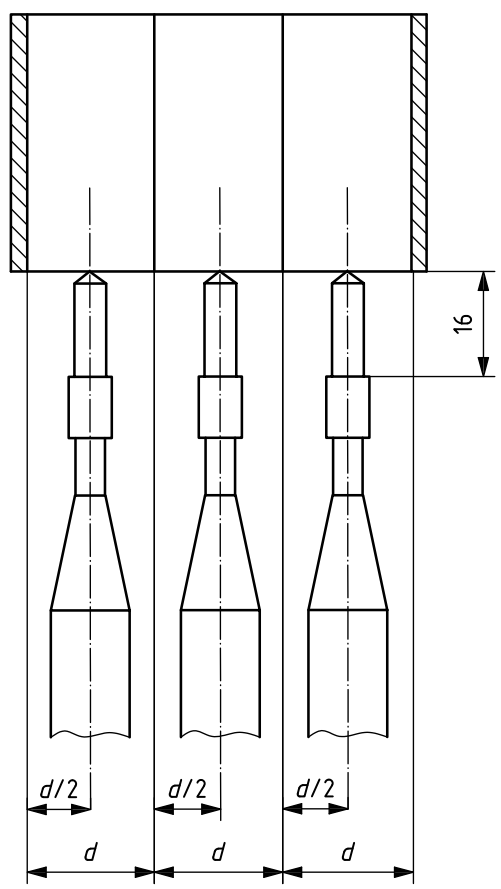


Key

- 1 test specimen
- 2 burner spacer

Figure 6 — Typical flame impingement points for products with thickness greater than 3 mm

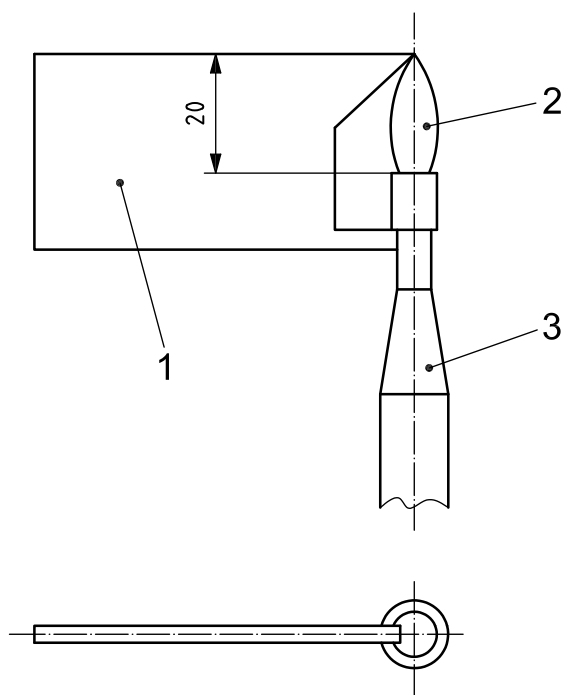
Dimensions in millimetres



Key
 d thickness

Figure 7 — Flame impingement points for additional set of tests for multilayer specimens greater than 10 mm thick

Dimensions in millimetres

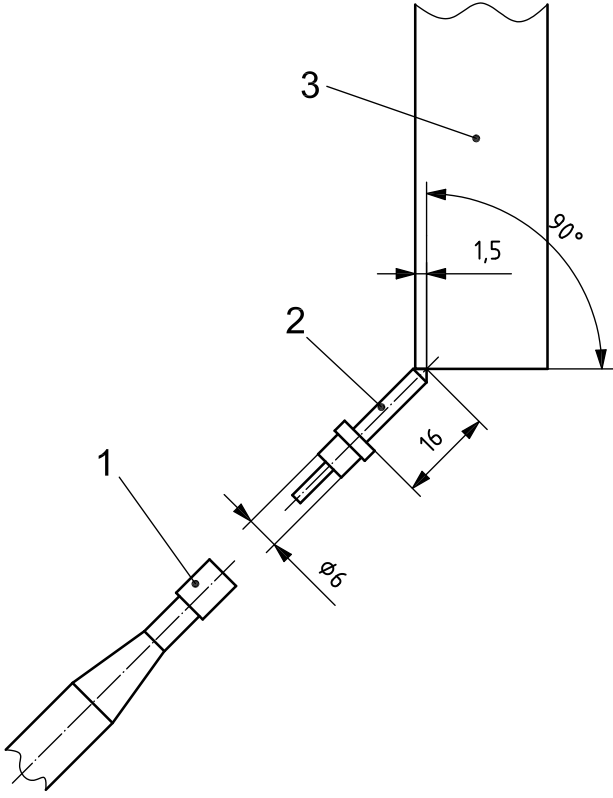


Key

- 1 metal plate
- 2 flame
- 3 burner

Figure 8 — Typical flame height measuring device

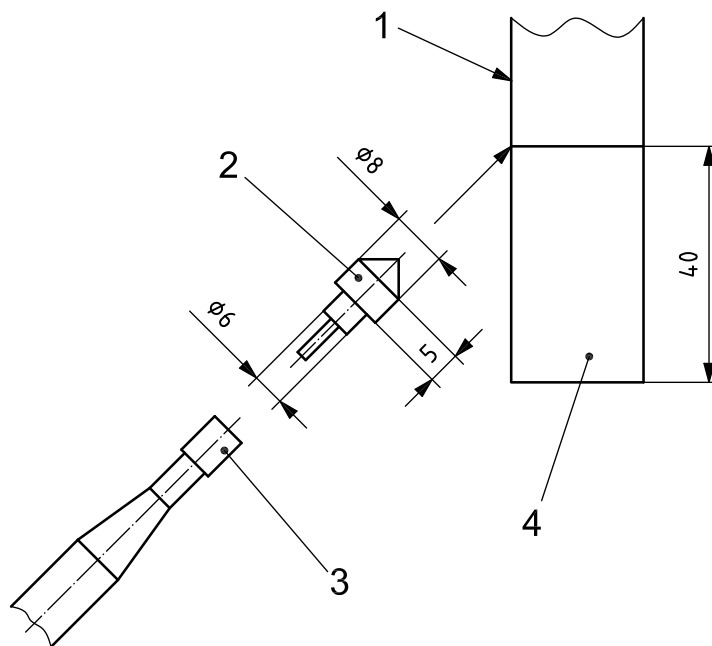
Dimensions in millimetres



- Key**
- 1 burner
 - 2 spacer
 - 3 test specimen

a) Edge flame impingement

Figure 9 — Burner spacer (continued)



Key

- 1 specimen surface
- 2 spacer
- 3 burner
- 4 test specimen

b) Surface flame impingement

Figure 9 — Burner spacer

Annex A (informative)

Precision of test method

A.1 General

An inter-laboratory trial of the test method described in this part of ISO 11925 was conducted, involving 10 laboratories and 12 building products. Statistical analysis of the results of the trials on the ignitability test was carried out according to the principles of ISO 5725-2 in order to determine the repeatability and reproducibility of the method.

Two methods of analysis were utilized.

The data expressed in terms of numbers were analysed using the statistical procedures specified in ISO 5725-2, i.e. mean values, m , and the standard deviations calculated related to repeatability, s_r , and reproducibility, s_R , at the 95 % confidence level. Prior to the statistical evaluations, the results were checked for values differing significantly from the others, outliers (with 1 % probability of occurrence) and stragglers (with 5 % probability); only outliers were rejected.

Of the results expressed in terms of Yes/No answers, the numbers of the Yes and No answers, as well as their relative proportions, were evaluated. Also included was an additional non-standard parameter called *degree of uncertainty*, which attempts to combine the proportions of Yes and No answers into a single number. This quantity is calculated as $2 \times \min(\text{Yes } \%, \text{No } \%)$, hence it equals zero if all the answers are Yes or No and 100 % if half of the answers are Yes and half No.

The parameters analysed and other relevant details are given in Tables A.1 and A.4.

Table A.1 — Parameters analysed for all materials

Parameter	Type	Notation
Occurrence of ignition	Yes/No	—
Whether flame reaches 150 mm	Yes/No	—
Time to reach 150 mm	Number	t_{150}
Ignition of the filter paper	Yes/No	—

The results are categorized according to the ignition method (surface, bottom edge and vertical edge). In the case of surface and bottom-edge ignition methods, data were reported on all the products, whereas in the case of the vertical-edge ignition method, only materials E, I, K, and L were analysed.

The essential repeatability and reproducibility values as a function of the time to 150 mm (t_{150}) are reported in Table A.2 as a range for each of the products assessed for surface, bottom edge and vertical edge, respectively, for 15 s application. Table A.3 gives the same data for the 30 s application.

Table A.2 — Summary of precision results for time to reach 150 mm t_{150} for 15 s application times

Flame application area	Range of standard deviations %	Average standard deviation %	Range of relative repeatability r/m (%)	Average relative repeatability r/m (%)	Range of relative reproducibility R/m (%)	Average relative reproducibility R/m (%)
Surface	$s_{r/m}$ 0 to 28,4 $s_{R/m}$ 0 to 72,4	$s_{r/m}$ 16,3 $s_{R/m}$ 43,6	21,2 to 80,4	46,0	65,8 to 204,7	123,2
Bottom edge	$s_{r/m}$ 0 to 12,8 $s_{R/m}$ 0 to 25,6	$s_{r/m}$ 8,0 $s_{R/m}$ 18,5	0 to 36,2	22,7	0 to 72,4	52,4
Vertical edge	$s_{r/m}$ 0 to 16,0 $s_{R/m}$ 0 to 48,4	$s_{r/m}$ 5,3 $s_{R/m}$ 16,1	0 to 45,3	15,1	0 to 137,0	45,7

Table A.3 — Summary of precision results for time to reach 150 mm t_{150} for 30 s application times

Flame application area	Range of standard deviations %	Average standard deviation %	Range of relative repeatability r/m (%)	Average relative repeatability r/m (%)	Range of relative reproducibility R/m (%)	Average relative reproducibility R/m (%)
Surface	$s_{r/m}$ 0 to 28,1 $s_{R/m}$ 0 to 74,7	$s_{r/m}$ 29,3 $s_{R/m}$ 35,0	0 to 74,4	49,1	0 to 211,4	99,1
Bottom edge	$s_{r/m}$ 0 to 11,6 $s_{R/m}$ 0 to 28,8	$s_{r/m}$ 8,1 $s_{R/m}$ 19,7	0 to 32,9	23,0	0 to 81,5	55,7
Vertical edge	$s_{r/m}$ 0 to 18,8 $s_{R/m}$ 0 to 18,8	$s_{r/m}$ 6,3 $s_{R/m}$ 6,3	0 to 53,3	17,8	0 to 53,3	17,8

Tables A.4 and A.5 show the results of the yes/no analysis for each of the application times and application areas. The results are consistent for some products and slightly variable for others, which have been shown to be more a function of material/product variation than test method variability.

Table A.4 — Surface ignition — degree of uncertainty values for yes/no answers

Material	15 s ignition %	Ignition of paper %	30 s ignition %	Ignition of paper %
A	87	0	91	0
B	32	0	24	0
C	52	67	30	86
D	20	0	60	46
E	20	0	20	0
F	52	17	53	0
G	60	0	93	0
H	80	0	93	0
I	40	0	60	0
J	0	46	0	0
K	40	7	27	0
L	82	0	44	0

Table A.5 — Bottom-edge ignition — degree of uncertainty values for yes/no answers

Material	15 s ignition	Ignition of paper	30 s Ignition	Ignition of paper
	%	%	%	%
A	82	0	82	0
B	24	0	48	0
C	25	86	7	57
D	0	22	0	22
E	44	0	44	0
F	91	27	95	0
G	67	0	60	0
H	22	0	0	0
I	7	0	7	0
J	0	0	0	0
K	0	0	0	0
L	0	0	15	30

A.2 Conclusions

The conclusions are the following.

- a) The variability of the Yes/No response for each product is generally a function of the product itself rather than the method. However, some of the lack of reproducibility could be attributed to the positioning of the ignition source; different areas of impingement may have led to different ignition results.
- b) The values of s_r/m and s_R/m for t_{150} are within acceptable limits for the 15 s and 30 s flame applications, the mean of the standard deviations for all products being comparable with the same parameter achieved in other round robins on fire test methods.
- c) The relative repeatability is also acceptable for this method of test. However, the relative reproducibility values for some products and parameters are quite high.
- d) The absolute repeatability/reproducibility was good, i.e. within 3 s to 5 s for all times measured. Therefore, if the value is low, the r/R values were high and *vice versa*. For times greater than 10 s, the r/R values were therefore good.

Bibliography

- [1] ISO 5725-2, *Accuracy (trueness and precision) of measured methods and results — Part 2: Basic method for the determination of repeatability and reproducibility of a standard measurement method*

British Standards Institution (BSI)

BSI is the independent national body responsible for preparing British Standards and other standards-related publications, information and services.

It presents the UK view on standards in Europe and at the international level.

It is incorporated by Royal Charter.

Revisions

British Standards are updated by amendment or revision. Users of British Standards should make sure that they possess the latest amendments or editions.

It is the constant aim of BSI to improve the quality of our products and services. We would be grateful if anyone finding an inaccuracy or ambiguity while using this British Standard would inform the Secretary of the technical committee responsible, the identity of which can be found on the inside front cover.

Tel: +44 (0)20 8996 9001 Fax: +44 (0)20 8996 7001

BSI offers Members an individual updating service called PLUS which ensures that subscribers automatically receive the latest editions of standards.

Tel: +44 (0)20 8996 7669 Fax: +44 (0)20 8996 7001

Email: plus@bsigroup.com

Buying standards

You may buy PDF and hard copy versions of standards directly using a credit card from the BSI Shop on the website www.bsigroup.com/shop. In addition all orders for BSI, international and foreign standards publications can be addressed to BSI Customer Services.

Tel: +44 (0)20 8996 9001 Fax: +44 (0)20 8996 7001

Email: orders@bsigroup.com

In response to orders for international standards, it is BSI policy to supply the BSI implementation of those that have been published as British Standards, unless otherwise requested.

Information on standards

BSI provides a wide range of information on national, European and international standards through its Knowledge Centre.

Tel: +44 (0)20 8996 7004 Fax: +44 (0)20 8996 7005

Email: knowledgecentre@bsigroup.com

Various BSI electronic information services are also available which give details on all its products and services.

Tel: +44 (0)20 8996 7111 Fax: +44 (0)20 8996 7048

Email: info@bsigroup.com

BSI Subscribing Members are kept up to date with standards developments and receive substantial discounts on the purchase price of standards. For details of these and other benefits contact Membership Administration.

Tel: +44 (0)20 8996 7002 Fax: +44 (0)20 8996 7001

Email: membership@bsigroup.com

Information regarding online access to British Standards via British Standards Online can be found at www.bsigroup.com/BSOL

Further information about BSI is available on the BSI website at www.bsigroup.com/standards

Copyright

Copyright subsists in all BSI publications. BSI also holds the copyright, in the UK, of the publications of the international standardization bodies. Except as permitted under the Copyright, Designs and Patents Act 1988 no extract may be reproduced, stored in a retrieval system or transmitted in any form or by any means – electronic, photocopying, recording or otherwise – without prior written permission from BSI. This does not preclude the free use, in the course of implementing the standard of necessary details such as symbols, and size, type or grade designations. If these details are to be used for any other purpose than implementation then the prior written permission of BSI must be obtained. Details and advice can be obtained from the Copyright & Licensing Manager.

Tel: +44 (0)20 8996 7070

Email: copyright@bsigroup.com

BSI Group Headquarters

389 Chiswick High Road London W4 4AL UK

Tel +44 (0)20 8996 9001

Fax +44 (0)20 8996 7001

www.bsigroup.com/standards